



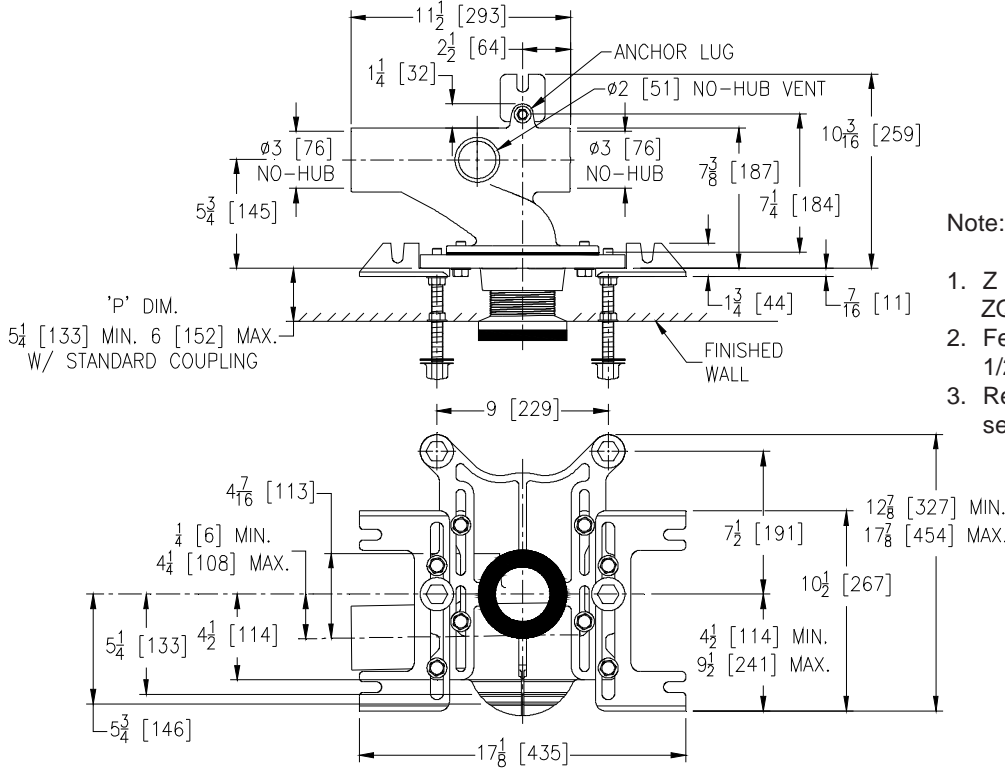
# Z1201-N\_3

## EZCARRY® ADJUSTABLE HORIZONTAL HIGH PERFORMANCE SIPHON JET NO-HUB WATER CLOSET CARRIER SYSTEM

SPECIFICATION SHEET

TAG \_\_\_\_\_

Dimensional Data (inches and [mm]) are Subject to Manufacturing Tolerances and Change Without Notice



Product Number	Approx. Wt. lbs [kg]
Z1201-NL3	47 [21]
Z1201-NR3	47 [21]

**Note:**

1. Z Coupling Min. 'P' Dim. Obtainable=2 [51]  
ZQ Coupling Min. 'P' Dim. Obtainable=5 [127]
2. Feet bolted to floor using min. 1/2 [13] dia. anchors.
3. Rear anchor foot required for secure installation.

Z1201-NR3 Illustrated

**ENGINEERING SPECIFICATION: ZURN Z1201-N\_3**

EZCarry® horizontal siphon jet water closet carrier system with high performance waterway and 3" [76mm] no-hub connections. System includes Dura-Coated cast iron main fitting with hydro-mechanically optimized sweep and extended 2" [51mm] vent, adjustable gasketed faceplate, universal floor mounted pre-fab slotted foot supports, heavy-duty 1/2" [13mm] rear anchor tie down, fixture bolts, trim, stud protectors, bonded "Neo-Seal" gasket, and corrosion resistant, adjustable 3" [76mm] dia. X 6" [152mm] coupling with integral test cap designed to increase flow velocity and line carry. EZCarry® system complies with the requirements of ASME A112.6.1M up to a 500 lbs [227 kg] static load rating.

**OPTIONS** (Check/specify appropriate options)

- \_\_\_ Z1201-NL3    3 [76] No-Hub Left Hand Inlet with Flow to Right
- \_\_\_ Z1201-NR3    3 [76] No-Hub Right Hand Inlet with Flow to Left

**PREFIXES**

- \_\_\_ Z    D.C.C.I. System with Zurn ZZ Adjustable Coupling\*
- \_\_\_ ZQ    D.C.C.I. System with NPT Faceplate, Non-Adjustable Coupling

**SUFFIXES**

- \_\_\_ -A    Auxiliary Support Assembly (For 'P' Dim. Greater than 18 [457])
- \_\_\_ -CC    Corrosion Resistant Cast Iron Coupling (2-1/4 [57] to 12 [305])
- \_\_\_ -CE    EZ-Set™ Coupling (Available 6 [152], 12 [305] or longer when specified. Minimum length=5 [127])
- \_\_\_ -CL    Custom Length Standard Coupling with Integral Test Cap (Specify Length 4, 8, 10, 12 [102, 203, 254, 305])
- \_\_\_ -CS    2-1/4 [57] Polymer Coupling with Integral Test Cap
- \_\_\_ -CV    Closed Vent (Use only when local codes allow).
- \_\_\_ -F    Floor Mounted, Back Outlet Fixture Support
- \_\_\_ -G    Galvanized Cast Iron
- \_\_\_ -M    Auxiliary Foot Support (for 'P' Dim. 10 thru 18 [254 thru 457])
- \_\_\_ -RYK    Unistrut Pre-Fab Foot Support
- \_\_\_ -VP    Vandal-Proof Trim
- \_\_\_ -45    Finishing Frame for Siphon Jet System
- \_\_\_ -50    Flush Valve Supply Support for Water Closets

\* Regularly furnished unless otherwise specified.