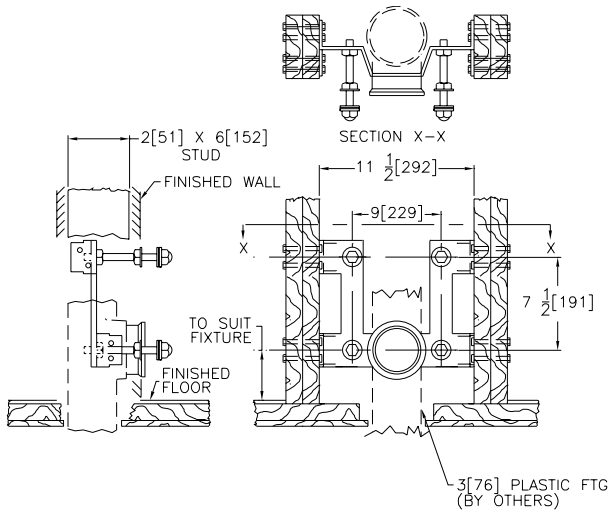


**Z1283 WOOD STUD SUPPORTED WATER CLOSET CARRIER – PLASTIC PIPE**



**ENGINEERING SPECIFICATION**

Zurn Z1283 residential water closet support system comes complete with Dura-Coated support brackets and coupling support, ABS coupling, fixture bolts, trim, and bonded Neo-Seal gasket.



Product Number	Approximate Weight lb [kg]
Z1283-P3	25 [11]

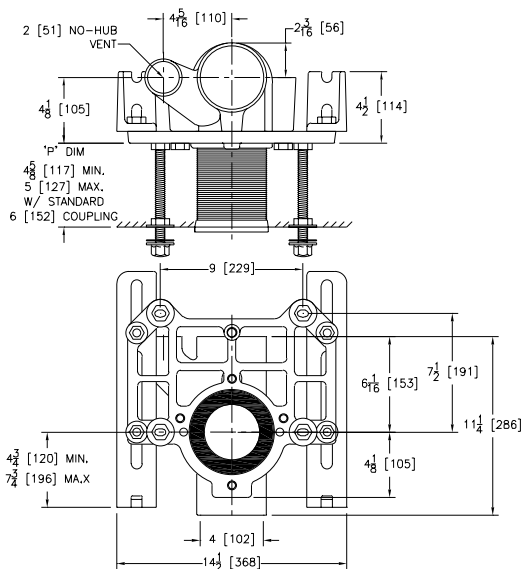
PREFIXES	DESCRIPTION	LIST PRICE
<b>Z1283-P3*</b>	Dura-Coated Bracket System with 3" Yoke	<b>671.00</b>
SUFFIXES	ADD	
<b>-X4</b>	4" Carrier Foot Extension (For -Y Only)	<b>115.00</b>
<b>-Y</b>	Foot Support System	<b>359.00</b>
BEST SELLER	LIST PRICE	
Z1283-P3	<b>671.00</b>	

**Z1284 CONCRETE FLOOR SUPPORTED WATER CLOSET CARRIER**



**ENGINEERING SPECIFICATION**

Zurn Z1284 4" residential water closet support system comes complete with Dura-Coated cast iron 4" no-hub fitting, 2" vent, support feet, corrosion-resistant ABS coupling, fixture bolts and trim, and bonded Neo-Seal gasket.



Product Number	Approximate Weight lb [kg]
Z1284-N4	40 [18]

PREFIXES	DESCRIPTION	LIST PRICE
<b>Z1284-N4*</b>	Dura-Coated Bracket System with 4" No-Hub Fitting	<b>1,427.00</b>
SUFFIXES	ADD	
<b>-X4</b>	4" Foot Extension Assembly	<b>115.00</b>

\*Regularly furnished unless otherwise specified.

For additional product information, please visit [www.zurn.com](http://www.zurn.com)

Items designated as Best Sellers are most specified and are generally in stock for shipment.

Ⓞ This symbol denotes a product that is engineered to reduce installation and rework time.

For Additional System Tools See "Z1200 Carrier Tools and Accessories" on page 214